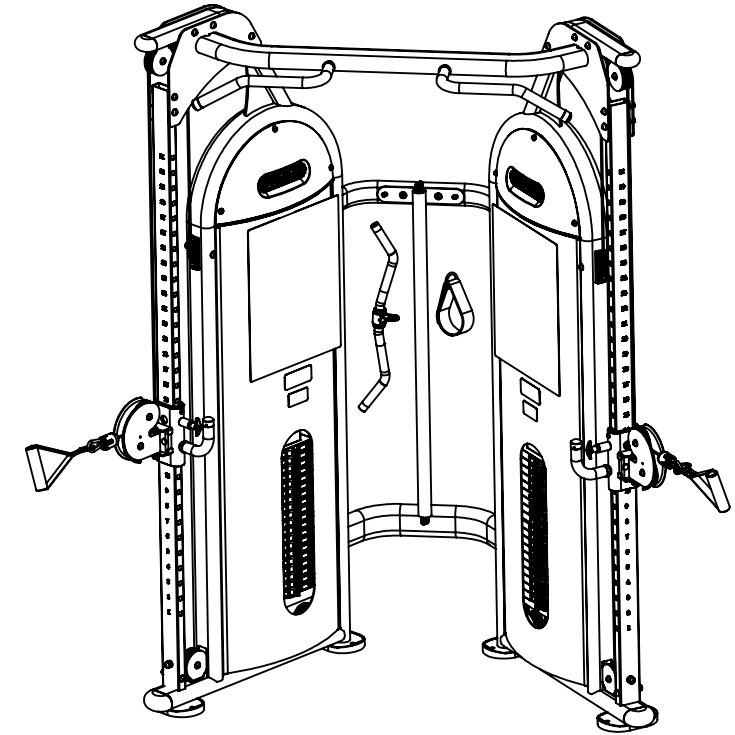
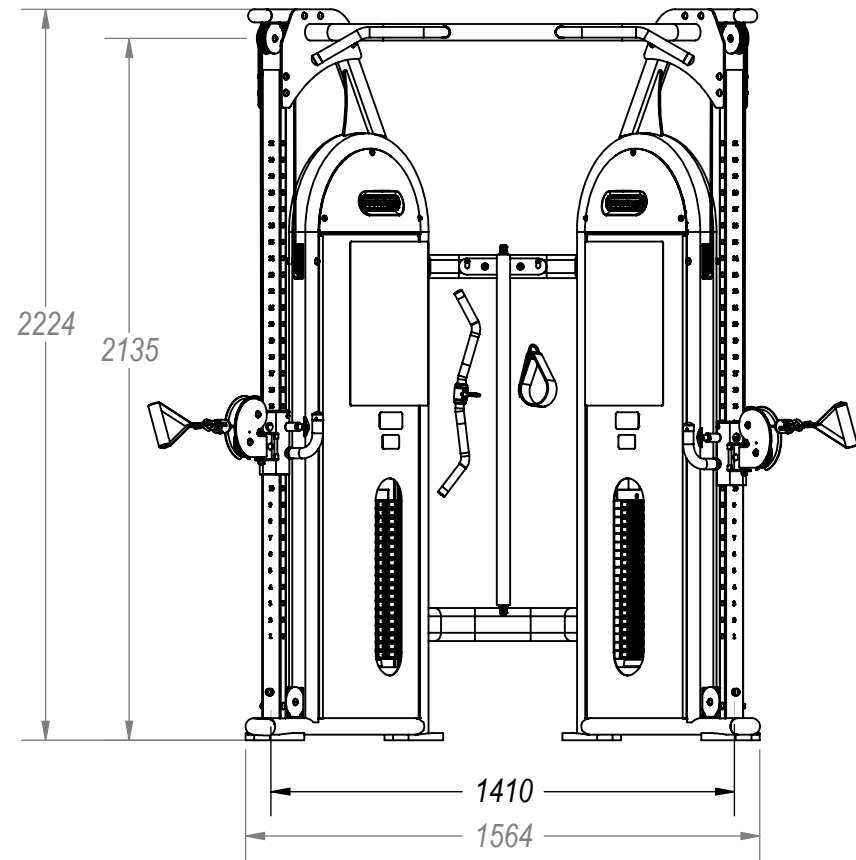
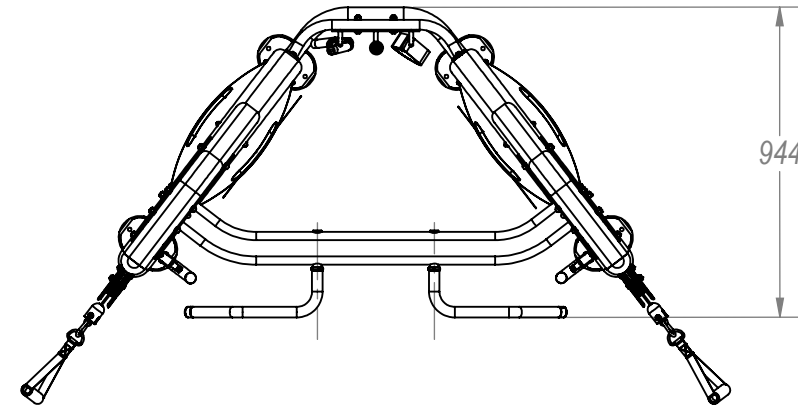


REVISION HISTORY				
REV	DATE	DESCRIPTION	ECO	BY
A	06-25-08	PRODUCTION RELEASE	11956	AK
B	06-23-10	UPDTED 3D MODEL	13343	TZ



NOTICE OF PROPRIETARY INFORMATION
 THIS DOCUMENT SHALL NOT BE REPRODUCED NOR SHALL THE INFORMATION CONTAINED HEREIN BE USED BY OR DISCLOSED TO OTHER EXCEPT AS EXPRESSLY AUTHORIZED BY UNISEN INC, D.B.A. STAR TRAC.

DOCUMENT STATUS:

CLASS OF WORK	UNLESS OTHERWISE SPECIFIED DIMS ARE IN mm. TOLERANCES FOR MEASURE OF LENGTH ARE:							ANGLES = ±2°
	0.5 to 3	> 3 to 6	> 6 to 30	> 30 to 120	> 120 to 400	> 400 to 1000	> 1000 to 2000	
FINE	±0.05	±0.05	±0.1	±0.15	±0.2	±0.3	±0.5	----
MEDIUM X	±0.1	±0.1	±0.2	±0.3	±0.5	±0.8	±1.2	±2
COARSE	±0.2	±0.3	±0.5	±0.8	±1.2	±2	±3	±4
VERY COARSE	----	±0.5	±1	±1.5	±2.5	±4	±6	±8

MATERIAL
SEE BOM

FINISH
 FRAME COLOR: STAR TRAC SILVER (HP FULLER) UPHOLTERY
 COLOR: STAR TRAC GREY (SLATE)

VENDOR: **IMPULSE** P/N: IL-D2002

THIRD ANGLE PROJECTION



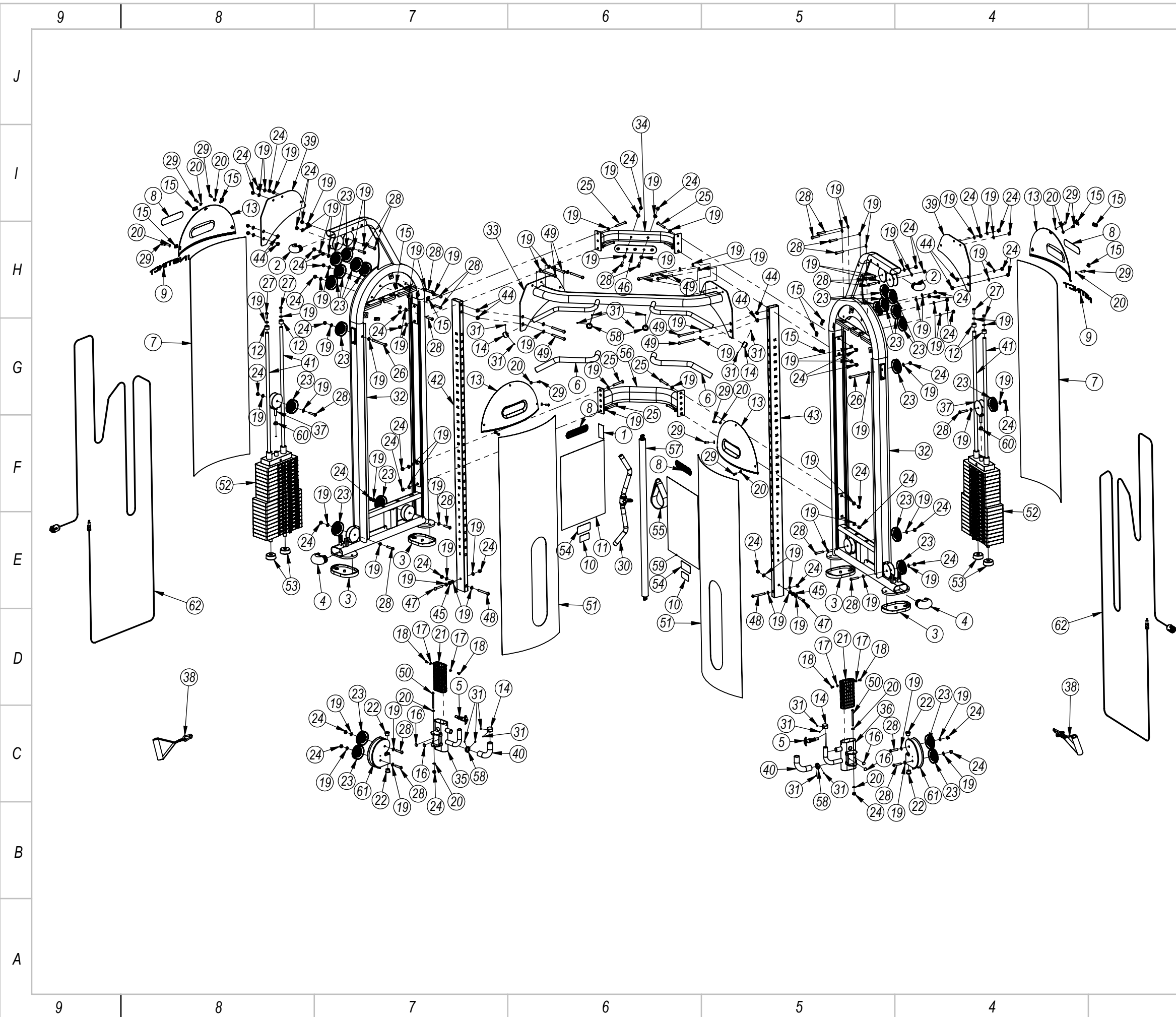
	INITIAL	DATE
DRAWN	TZ	10/09/09
CHECKED		
APPROVED		

UNISEN, INC. DBA **STAR TRAC** 14410 Myford Road
Irvine CA 92606

STARTRAC PART NO. **9IL-D2002-13AAS** REV **B**

TITLE **IL,DSS,DUAL ADJUST,PULLEY,LNL**

SCALE: 1:23 | SHEET 1 OF 2 | SHEET SIZE: B



ITEM NO.	PART NUMBER	DESCRIPTION	QTY.
1	050-2125-02	LABEL, SERAIL NO, INSTINCT	1
2	730-0196	CAP, SMALL, TUBE, IN-B7201	2
3	730-0216	PAD, FEET, BASE, IN-B7503	4
4	730-0223	CAP, LARGE, FRAME	2
5	730-0278	ADJUSTMENT, PULLEY, SELECTOR PIN	2
6	730-0279	PAD, PVC, SLEEVE, PULL UP	2
7	730-0298	SHROUD, REAR, IN-D2110	2
8	730-0383	STICKER, STAR TRAC, DECO, 196X45MM	4
9	730-0384	LOGO, INSTINCT	2
10	730-0385	STICKER, CAUTION, PINCH POINT	2
11	730-0392	PLACARD, INSTR, L&R, IN-D2002	1
12	730-0565	CAP, RUBBER, ROD GUIDE WT STK	4
13	730-0702	SHROUD, TOP, LP	4
14	730-0704	CAP, OUTSIDE, GRIP, 25MM, AL	4
15	730-0845	SPEED NUT, U-STYLE CLIP-ON NUT, M8	12
16	730-0867	ADJUSTMENT, HANDLE, NYLON, PAD	4
17	730-0885	NUT, M6, JAM, HEX, SS	4
18	730-0899	SCREW, M6X1.0, 12MM, PHMS, SS	4
19	730-0908	WASHER, PLAIN, M10, SS	102
20	730-0910	WASHER, PLAIN, M8, SS	16
21	730-0936	ASSY, TUBE, INSERT, SLEEVE	4
22	730-1097	BUSHING, FLANGE, M17X18	4
23	730-1098	PULLEY ASSY, CABLE, DIA 89MM	24
24	730-1104	NUT, M10X1.5, NYLOC, SS	50
25	730-1109	SCREW, M10X1.5, 80MM, BHC, HE, SS	8
26	730-1110	SCREW, M10X1.5, 115MM, BHC, HE, SS	2
27	730-1118	SCREW, M10X1.5, 30MM, BHC, HE, SS	4
28	730-1131	SCREW, M10X50, BHC, SS	24
29	730-1138	SCREW, M8X1.25, 20MM, BHC, HE, SS	12
30	730-1150	PULL GRIP ASSY	1
31	730-1155	SCREW, 10-32X3.2, SET	16
32	730-1230	WEIGHT STACK, FRAME, LEFT	2
33	730-1232	PULL UP, CROSSBEAM	1
34	730-1233	CROSSBEAM, REAR	1
35	730-1234	ASSY, ADJUSTMENT, PULLEY, LEFT	1
36	730-1235	ASSY, ADJUSTMENT, PULEY, RIGHT	1
37	730-1237	WEIGHT STACK, PULLEY, BRACKET	2
38	730-1238	ASSY, PULLEY, HANDLE	2
39	730-1239	PLATE, WEIGHT, FRAME	2
40	730-1242	PAD, PVC, SLEEVE, PULLEY	2
41	730-1243	WEIGHT STACK, GUIDE, RAIL	4
42	730-1244	ASSY, ADJ, PULLEY, POST, LEFT	1
43	730-1245	ASSY, ADJ, PULLEY, POST, RIGHT	1
44	730-1246	WEIGHT, FRAME, ADJ, POST, SPACER	8
45	730-1247	ADJUSTMENT, POST, NYLON, RING	2
46	730-1249	CROSSBEAM, REAR, HOOK	1
47	730-1251	SCREW, M10X60, BHC, SS	2
48	730-1252	SCREW, M10X85, BHC, SS	2
49	730-1253	SCREW, M10X1.5X105, BHC, SS	10
50	730-1254	SCREW, M8X100, BHC, SS	2
51	730-1325	SHROUD, LNL, D2002	2
52	730-1427	WSA-LNL, 225LB, 19H, SP	2
53	730-1448	STOP, BUMPER, WEIGHT PLATE, 25.4MM	4
54	730-1491	LABEL, INSTRUCTIONS, LOCK N LOAD	2
55	730-1583	ANKLE STRAP, IN-D2002	1
56	730-1624	CROSSBEAM, BOTTOM	1
57	730-1775	STRAIGHT GRIP ASSY	1
58	730-1805	STOPPER RING, HANDLE	4
59	730-1853	PLACARD, INSTR, L&R, IN-D2002	1
60	730-2164	FLANGE NUT, 1/2"-12	2
61	730-2290	BRACKET ASSY, PULLEY	2
62	730-2056	CABLE ASSY, IN-D2002	2

UNISEN, INC. DBA
STARTRAC 14410 Myford Road
 Irvine CA 92606

STARTRAC PART NO. **9IL-D2002-13AAS** REV **B**
 TITLE **IL, DSS, DUAL ADJUST, PULLEY, LNL**
 SCALE: 1:24 | SHEET 2 OF 2 | SHEET SIZE: B